

Pascal Series

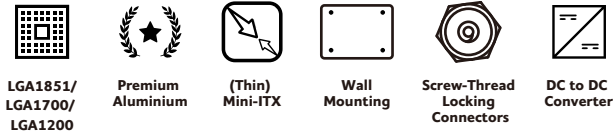


IP65 Waterproof & Dust-Tight Fanless Cases

Industrial computing without the noise, dust or moving parts.

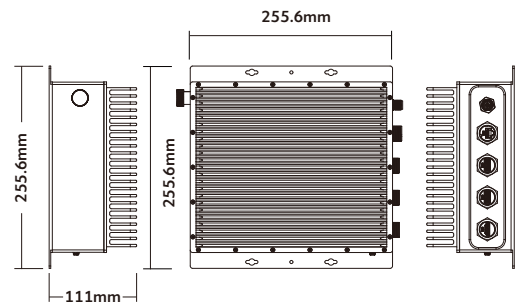
Pascal MX

IP65 Fanless Case for (Thin) Mini-ITX Motherboards



- Waterproof and dust-tight aluminium fanless case supporting Intel® Core™ (10th-14th Gen) and Core™ Ultra (15th Gen) processors up to 65W TDP
- Patented spring-loaded CPU mounting
- Screw-thread locking IP65-rated HDMI, USB 3.0, LAN, power cables (length: 2m)
- Includes wall mounting brackets
- 220W DC-to-DC ATX power converter designed for stable performance under high operating temperatures

Product Code: A-ITX64-S1B



Pascal RC | IP65 Fanless Case for ASUS NUC 14/15 Pro

- Supports Intel® Core™ Ultra processors up to 28W TDP
- Includes IP65-rated power, LAN, HDMI and USB cables (length: 2m)
- Dimensions: 195.6 x 214.7 x 64.6 mm (W x D x H)

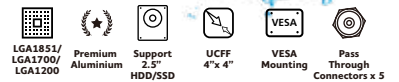
Product Code: A-NUC103-M1B



Pascal TX Plus | IP65 Fanless Case for Thin Mini-ITX (LGA1700)

- Supports processors up to 35W TDP
- Includes IP65-rated power, LAN, HDMI and USB cables (length: 2m)
- Supports VESA mounting
- Dimensions: 234.6 x 339.8 x 76.3 mm (W x D x H)

Product Code: A-ITX58-M1B



Pascal CRC | Compact IP65 Fanless Case for ASUS NUC 14/15 Pro

- Supports Intel® Core™ 3 processors up to 15W TDP
- Extremely compact 1.7L size
- Includes IP65-rated power, LAN, HDMI and USB cables (length: 2m)
- Dimensions: 150 x 215.3 x 54 mm (W x D x H)

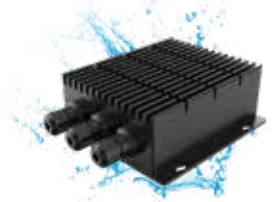
Product Code: A-NUC107-M1B



Pascal Pi | IP65 Fanless Case for Credit-Card Sized SBCs OEM/ODM

- Designed for credit-card sized SBCs including Raspberry Pi boards up to 10W TDP
- Features custom thermal kit with finned shell to passively cool the SBC
- Includes IP65 connectors and cables
- Contact Akasa for availability

Product Code: A-RA12-M1B



Designed for Outdoor and Harsh Environments

